

# Aprilaire®

## Humidifiers



## Owner's Manual

For Models 350, 360, 400, 400M, 500,  
500M, 600, 600M, 700 & 700M

Includes Safety & Operating Instructions  
and Warranty Information

**READ AND SAVE THESE INSTRUCTIONS**

## TABLE OF CONTENTS

Introduction	1
Principle of Operation	2
Operating Instructions – Models 400, 500, 600 & 700	4
• Digital Humidifier Control Indicator Lights	4
• Blower Activation	5
• Automatic Mode	5
• Manual Mode	6
Operating Instructions – Models 350, 360, 400M, 500M, 600M & 700M	9
Check the Humidifier Operation	9
Additional Information for All Models	10
Effect of Water Characteristics	10
Annual Maintenance	11
Annual Summer Shutdown	12
Periodic Preventative Maintenance	13
<b>MAINTENANCE INSTRUCTIONS</b>	
Models 350 & 360	14
Models 400 & 400M	15
Models 500 & 500M	16
Models 600 & 600M	16
Models 700 & 700M	17
Limited Warranty	18

### **WARNING**

**120 volts may cause injury from electrical shock.  
Disconnect power and shut off water supply before servicing.**

### **CAUTION**

**Sudden operation may cause personal injury or property damage. Turn the Aprilaire® Humidifier Control to “OFF” or lowest setting before servicing.**

## INTRODUCTION

Thank you for your recent Aprilaire® humidifier purchase. We appreciate your business and are pleased to add your name to our growing list of customers. You have invested in the highest quality equipment available. Aprilaire manufactures whole-house indoor air quality products and is a recognized leader in the heating and air conditioning industry.

Your humidifier will require periodic maintenance to assure continued fine performance. See page 11 to obtain service parts and/or replacement Water Panel® evaporators.

Please take a few minutes and read this booklet. This will familiarize you with the benefits you will receive from the equipment you just purchased and help you understand the routine maintenance that will be required.

Be sure to register your humidifier warranty online at:  
[www.aprilaire.com/warranty](http://www.aprilaire.com/warranty).

**Genuine Aprilaire® Replacement Water Panel® evaporators are available from your installing contractor or from most other heating and air conditioning contractors in your area. Use the dealer locator in our web site ([www.aprilaire.com](http://www.aprilaire.com)) or look in the Yellow Pages under Humidifying Apparatus or Heating & Air Conditioning Contractors. Purchase only genuine Aprilaire Water Panels to maintain peak performance.**



## PRINCIPLE OF OPERATION

With your purchase of this humidification system, you have invested in a humidifier that operates on the evaporative principle – nature’s own way of adding moisture – providing optimum relative humidity (RH) throughout the heating season. It is very possible that you have questions concerning your new humidifier – questions on what it can do for you, and what you should do to receive maximum benefits from it. This booklet is intended to answer these questions.

Nature, in producing an invigorating comfortable April day, combines just the right temperature and the right amount of moisture. Aprilaire humidifiers employ the same principle, with refinements, to give you the optimum RH for maximum allowable comfort all winter long.

The important considerations in the evaluation of a humidifier are precise control, sufficient capacity, trouble-free performance and minimum maintenance. The operating principle of your Aprilaire humidifier provides all of these advantages. Here, briefly, is the method:

Except for Models 350 and 360, the Aprilaire humidifier is installed to operate in conjunction with the heating, ventilating, air conditioning equipment (HVAC) blower. When the Aprilaire Humidifier Control calls for humidity and the blower motor is operating, water flows to the distribution tray located at the top of the humidifier. The water is uniformly distributed across the width of the tray and through a scientifically designed system of outlets. It flows by gravity over the Water Panel® evaporator, the heart of the humidifier. Dry, hot air is moved through the moisture-laden Water Panel® evaporator where natural evaporation takes place. The now-humidified air carrying moisture in vapor form (nature’s own way) is circulated throughout the home.

With bypass Models 400, 500 and 600 Series, HVAC system airflow is drawn through the humidifier from the supply duct to the return duct. 700 Series models, and Models 350 and 360 have a built-in fan which draws air through the Water Panel.

Models 350 and 360 must use service hot water (140°F maximum) for a heat source, as heat is needed for evaporation. The other models can work with cold or hot water, but hot water provides maximum output and is recommended if the humidifier is to be run in fan-only mode. While the water going to the humidifier is hot, the flushing water to the drain will be cold. The heat is extracted during the evaporation process.

**The correct water flow is determined by an orifice provided with each drain type humidifier. When the humidifier is operating, there will be a small, steady stream of water to drain, which flushes away most of the trouble-causing minerals.**

**Do not use the saddle valve to regulate the water flow. It is designed to be completely open or closed.**

The minerals and solid residue not trapped by the replaceable Water Panel® evaporator are flushed down the drain in the Models 350, 360, 500, 500M, 600, 600M, 700 and 700M. This is the most effective and least expensive method to dispose of trouble-causing minerals. The drain also eliminates the problems caused by stagnant water.

There are some homes where drain facilities are not accessible or available. Model 400 Series humidifiers are designed to satisfy these applications.

Trouble-free performance and minimum maintenance are assured by the design features of the Aprilaire humidifier. All humidifier housing parts that come in contact with water are non-metal and will never rust or corrode. Neither heat nor water will affect them under normal operating conditions.

The Water Panel® evaporator, designed especially for uniform, high evaporation, and the Scale Control Insert (which encases the Water Panel) effectively traps mineral deposits which are often the cause of damage to working parts in ordinary humidifiers. **The Water Panel® evaporator is the heart of the humidifier and must be in good condition to assure high capacity trouble-free performance. It should be changed at least annually with the exception of Models 400 and 400M which should be changed at least twice per heating season.**

The distribution tray incorporates a synthetic fabric liner that is designed to deliver water uniformly over the entire top surface of the Water Panel® evaporator, provided the humidifier is mounted level. It is normal for some mineral deposits to form in the distribution tray as it dries out between humidification cycles. These deposits can actually help distribute water in the tray, but if they block the openings, they should be removed as described in the “Periodic Preventative Maintenance” section of this manual.

Your Digital Humidifier Control works in conjunction with your HVAC system to control the operation of the humidifier. The control senses indoor RH and outdoor temperature and automatically adjusts the operation time of the humidifier to provide the optimum humidity level in the home.

The Automatic Control can be set to turn on the HVAC blower when humidity is required. Plumbing the humidifier to hot water is required for this mode of operation.

The digital readout on the control displays the RH level inside the cold air return duct. RH is a measure of the amount of moisture in the air as a percentage of what the air can hold. Warm air can hold more moisture than cold air can.

The control has lights which indicate humidifier operation, when the Water Panel needs to be replaced and when service is required. See “Operating Instructions” for more information.

There are many humidifiers on the market. They all add moisture... with varying degrees of efficiency. None, however, offer the features, design, and performance incorporated into your new Aprilaire humidifier.

## OPERATING INSTRUCTIONS – MODELS 400, 500, 600 & 700

The Digital Humidifier Control offers two modes of operation, Automatic or Manual. An explanation of both modes follows. (See **Figure A** on page 5 for Automatic Mode. See **Figure B** on page 6 for Manual Mode.)

When in the Automatic Mode, this system offers the following benefits:

- **You will always receive the optimum amount of humidity so that your home and its furnishings are always protected from the damaging effects of excess condensation or low humidity during the heating season.** The Control automatically adjusts your home’s RH based on the outdoor temperature, increasing the time maximum comfort is maintained.
- **Simple operation with few adjustments.** The Control eliminates the need to manually adjust the control when outdoor temperature changes. It also eliminates the need to turn the dial setting to “OFF” during the summer season.

## DIGITAL HUMIDIFIER CONTROL INDICATOR LIGHTS

**Call Dealer for Service:** The red light indicates that the humidifier is not operating normally and that service is required.

**Change Water Panel:** The yellow light indicates that it is time to change the Water Panel in the humidifier.

**Humidifier On:** The green light indicates that the humidifier is operating normally.

## BLOWER ACTIVATION

Set the “Blower Activation Switch” to “ON” to allow the humidifier control to activate the HVAC fan for maximum humidification. For this setting the Models 500, 600 and 700 must be connected to hot water.

If the HVAC system has been idle for one hour, the humidifier control will activate the HVAC system fan to sample the air for 3 minutes. If the RH is lower than the set point, the humidifier control will activate the humidifier

and keep the fan running. The humidifier will continue to operate for 2 hours or until the humidification set point is reached.

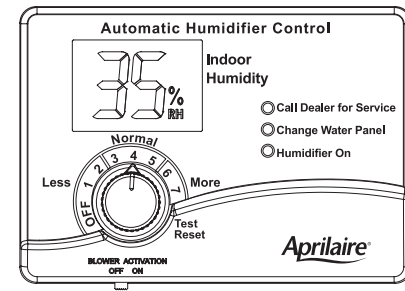
If the RH set point has not been reached by the end of a call for heat, the control will continue to operate the humidifier and the HVAC fan until the humidification set point is reached or 2 hours have elapsed.

When the “Blower Activation Switch” is in the “OFF” position, the humidifier control will only operate the humidifier if humidity is required and the HVAC system fan is operating or the HVAC system is producing heat.

**NOTE:** If used in conjunction with an Aprilaire 8570 Communicating Thermostat, and the blower activation feature is desired, DO NOT wire the A B communication terminals.

## AUTOMATIC MODE

FIGURE A – Automatic Mode



90-12358

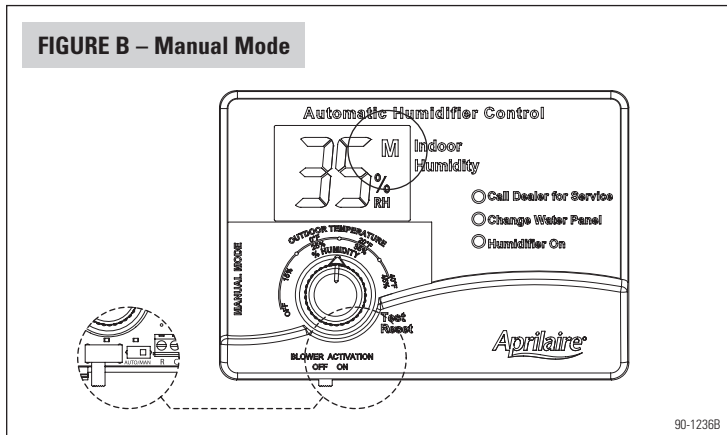
Your Aprilaire Humidifier Control is installed in the cold air return duct. **During the first heating season**, your Humidifier Control needs to be set initially to match your home’s condition. Please follow these steps when adjusting your control (refer to **Figure A**).

1. Turn the dial setting knob to “5”, which is within the normal range. During the next 24-48 hours it may be necessary to adjust the dial for more or less humidity, depending on your personal comfort and home’s requirements. Refer to **TABLE 3 – Operation Guide**.
2. During the coldest portion of the first heating season, minor adjustments may be necessary. This is dependent upon your home’s construction. Refer to **TABLE 3 – Operation Guide**.

The RH in your home will now be accurately controlled to meet your needs and should not need further adjustment during future heating seasons. Make note of the dial setting in the event you temporarily move the knob to “OFF” when performing annual maintenance of your Aprilaire humidifier.

## MANUAL MODE

**FIGURE B – Manual Mode**



90-1236B

When installed in the Manual Mode (see **Figure B** – internal switch in “MAN” position and “M” in the display), it is important to anticipate a drop in outdoor temperature and reduce the setting accordingly to avoid excessive condensation. For example, with an outdoor temperature of 20°F the correct setting will be 35% RH. If the temperature is expected to fall to 0°F, then merely reduce the setting to 25% several hours prior to the temperature change.

See **Table 1** for the recommended settings. These settings, which are based on years of research, represent a compromise between RH levels that would be most desirable for comfort and humidity levels that are suitable for protection of your home and to avoid condensation on your windows. For example, a wintertime indoor RH of 50% may be considered ideal for comfort, but unfortunately, it probably would result in condensation, which can cause damage to your home. Observing the recommended RH levels on your Humidifier Control is an important safeguard. Condensation of water on the inside surface of windows in the form of fogging or frost is usually an indication of too much humidity. This same condensation can occur in other areas in your home, possibly resulting in damage.

**TABLE 1 – Outdoor Temperature/Indoor Relative Humidity**

Outside Temperature	Recommended RH
+40°F	45%
+30°F	40%
+20°F	35%
+10°F	30%
0°F	25%
-10°F	20%
-20°F	15%

## WATER PANEL CHANGE INDICATOR

The control keeps track of humidifier operation time. The yellow “Change Water Panel” light flashes after a preset amount of running time has elapsed. This running time is preset by the installer based on the humidifier model and water hardness.

Refer to the Annual Maintenance section for instructions on changing the Water Panel or call your heating and air conditioning dealer for service. After the Water Panel is replaced, turn the Control knob to the “Test/Reset” position until the green “Humidifier ON” light flashes, to reset the Water Panel change timer.

## TEST/RESET

The Test/Reset feature allows the humidifier operation to be checked even if there is no call for humidity. See “Check the Humidifier Operation” on page 9.

## ADDITIONAL INFORMATION

Your humidifier is a precision system that will accurately maintain the RH in your home. For every 2°F change in outdoor temperature, the Digital Humidifier Control will automatically adjust the indoor RH by 1%.

The Digital Humidifier Control will accurately control the humidity in your home to a maximum of 45% RH.

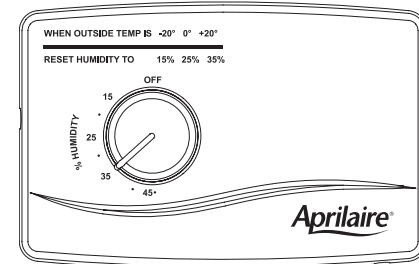
The RH Values in **Table 2** are targets based on outdoor temperature and the Digital Humidifier Control setting. The actual RH may vary due to conditions in the home (cooking, showering, etc.).

**TABLE 2 – % Relative Humidity Guide**

		Outdoor Temperature (°F)						Relative Humidity (%)
		-10°F	0°F	10°F	20°F	30°F	40°F	
Dial Setting	1	10%	10%	10%	15%	20%	25%	
	2	10%	10%	15%	20%	25%	30%	
	3	10%	15%	20%	25%	30%	35%	
	4	15%	20%	25%	30%	35%	40%	
	5	20%	25%	30%	35%	40%	45%	
	6	25%	30%	35%	40%	45%	45%	
	7	30%	35%	40%	45%	45%	45%	

**TABLE 3 – Operation Guide**

Condition	Solution
Condensation on windows.	Reduce the setting on the control dial by 1 increment.
Lack of humidity.	Increase the setting on the control dial by 1 increment. If the Humidifier Control is already at the maximum setting of "7"; set the Blower Activation Switch to "ON". The humidifier should be plumbed to hot water when using the Blower Activation feature.
Humidifier does not operate. (Solenoid does not "click" when control is moved to "Test/Reset" position.)	Turn dial to "Test/Reset". Make certain HVAC blower is operating. If unit still does not operate, consult a heating contractor.
Humidifier won't shut off.	Turn dial to "Off". If unit continues to operate, consult a heating contractor.
Test mode.	System operation is checked by setting the knob to "Test/Reset". Make certain HVAC blower is operating. Humidifier will operate for one minute. If the control knob is left in the test/reset position, after 1 minute the display will flash the software revision level e.g. r1. NOTE: Placing the knob in "Test/Reset" resets the Water Panel change timer.
Red "Call Dealer for Service" light flashes ( <b>Figure A</b> ).	Note the error code on the display (E1, E2, E3 or E4) and call your heating and air conditioning dealer.
Yellow "Change Water Panel" light flashes ( <b>Figure A</b> ).	Refer to the Annual Maintenance section (page 11) for instructions on changing the Water Panel or call your heating and air conditioning dealer for service. After the Water Panel is replaced, turn the Control knob to the "Test/Reset" position until the green "Humidifier On" light flashes, to reset the Water Panel change timer.

**OPERATING INSTRUCTIONS –  
MODELS 350, 360, 400M, 500M, 600M & 700M****FIGURE C – Manual Humidifier Control**

Your Aprilaire humidifier is controlled by a Manual Humidifier Control (see **Figure C**). The Manual Humidifier Control is installed either in the cold air return duct or on an interior wall of the home. With the Manual Humidifier Control, it is important to anticipate a drop in outdoor temperature and reduce the setting accordingly to avoid excessive condensation, just as with the Digital Humidifier Control installed in Manual Mode (see page 6).

To determine the indoor RH, slowly turn the knob clockwise and counterclockwise and listen for 2 clicks. The indoor RH is within the range of the 2 clicks.

**CHECK THE HUMIDIFIER OPERATION****DIGITAL HUMIDIFIER CONTROL**

Set the knob to "Test/Reset", make sure that the water saddle valve is open and that there is electricity to the humidifier. The HVAC fan must be running for the humidifier to function. Note: Turning the knob to "Test/Reset" resets the "Change Water Panel" timer. The humidifier will only operate for 1 minute in test mode. (Model 400 and 400M: Floats must be down for the solenoid valve to allow water flow.) Reduce the Humidifier Control setting to the recommended inside RH, depending on the outside temperature. **DO NOT LEAVE IN TEST MODE AS HUMIDIFIER WILL NOT OPERATE.**

**MANUAL HUMIDIFIER CONTROL**

Set the knob to the highest setting, make sure that the water saddle valve is open and that there is electricity to the humidifier. The HVAC system must be operating for the humidifier to function. Confirm that the solenoid valve is energized and water is flowing into the humidifier. Return control knob to desired setting.

## ADDITIONAL INFORMATION FOR ALL MODELS

Be sure to keep fireplace dampers closed when not in use. They provide an excellent escape route for heat, as well as humidity.

On occasion, indoor moisture producing activities such as clothes drying, cooking, showers, etc., may raise the RH level higher than it should be, even though the Aprilaire humidifier is not operating. Telltale indications are condensation or frost on cold surfaces such as windows, doors, walls, etc. If such condensation persists for several hours, your home should be ventilated to dissipate the potentially damaging excess moisture.

## EFFECT OF WATER CHARACTERISTICS

Your humidifier is designed to operate using hot, cold, hard or mechanically softened water. (Hot water is required for Models 350 and 360 and recommended for all models to ensure maximum performance.)

Water contains varying amounts of minerals. The residue remaining as a result of hard water evaporation is primarily calcium and magnesium components and is usually quite hard, scaly, and dense.

Residue from softened water tends to be soft and fluffy and has a greater volume than hard water deposits. In either case, the service life of a Water Panel evaporator will be the same. The Water Panel evaporator should be changed at least once a year with the exception of Models 400 and 400M which should be changed at least twice a heating season. In the drain-equipped models, most of the mineral solids are flushed down the drain.

Hot supply water, 140°F maximum, is recommended with drain type humidifiers for increasing capacity and is required for heat pump and air handler applications.

### **WARNING**

**RISK OF SCALDING.** Water temperature over 125°F can cause severe burns and scald instantly. Shut off the hot water supply before disconnecting or tapping into any hot water supply line.

## ANNUAL MAINTENANCE

**For best performance, we recommend that you replace the Water Panel evaporator in your Aprilaire humidifier at least annually with the exception of Models 400 and 400M which should be changed at least twice per heating season.**

The “Change Water Panel” indicator light (Digital Control only) will blink when it is time to change your Water Panel. See individual model instructions for additional maintenance.

To purchase a new Water Panel:

- Call the installer of your Aprilaire humidifier.  
This information is often found on your equipment.
- Call your heating and air conditioning dealer.
- Use our “Dealer Locator” at: [www.aprilaire.com](http://www.aprilaire.com)
- Look in the Yellow Pages under Humidifying Apparatus or Heating & Air Conditioning Contractors.
- If none of the above is successful and you still need information, please feel free to write us.
- Purchase only Genuine Aprilaire Water Panels to maintain performance.

If your humidifier is equipped with a Digital Humidifier Control with Water Panel change indicator, after replacing the Water Panel, turn the control knob to the “Test/Reset” position until the “Humidifier On” light blinks to reset its timer. (Blower must be operating and HVAC calling for heat.) Be sure to turn the control knob back to it’s original setting. If the “Humidifier On” light continues to blink, your humidifier is in Test mode. **DO NOT LEAVE THE CONTROL IN TEST MODE OR HUMIDIFIER WILL NOT OPERATE.**

## ANNUAL SUMMER SHUTDOWN

For Models 400, 400M, 500, 500M, 600 and 600M close the bypass damper, which is a part of the humidifier, with the small damper handle.

### Humidifier Control:

Digital Humidifier Control in Automatic Mode (see **Figure A**):  
No adjustment is necessary.

Digital Humidifier Control in Manual Mode (see **Figure B**):  
Set the knob to the "OFF" position.

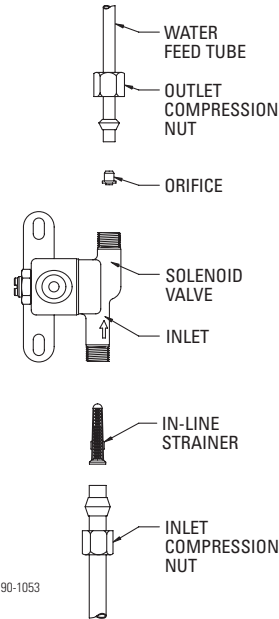
Manual Humidifier Control (see **Figure C**): Set the knob to the "OFF" position.

## PERIODIC PREVENTATIVE MAINTENANCE

NOTE: Periodic inspection and preventative maintenance of your total heating system is important for efficient and safe operation. Your heating contractor can service your humidifier when he services the HVAC system.

All models have a distribution tray above the Water Panel, which should be inspected annually and cleaned of excess mineral deposits.

### WATER LINE INSPECTION AND SERVICE INSTRUCTIONS



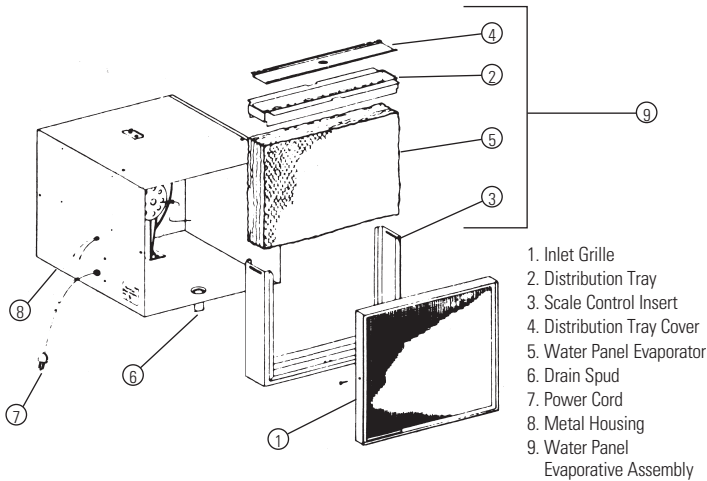
1. Disconnect electrical power to the HVAC and shut off water supply.
2. Disconnect the water line at the inlet compression nut.
3. Remove the in-line strainer from inside the inlet side of the valve by using a small nail or wire.
4. Flush the in-line strainer clean or replace with a new strainer, Part No. 4004.
5. Reconnect the inlet water line. **Double Wrench to Prevent Leaking.**
6. Disconnect the water feed tube at the outlet compression nut.
7. Inspect the water feed tube by gently flexing it and looking for cracks or signs of wear. Replace tube if it is cracked, brittle, or has been damaged.
8. Inspect the orifice in the water feed tube and make sure the small opening is unplugged.
9. Reconnect the water feed tube. **Double Wrench to Prevent Leaking.**
10. Remove the drain line from the bottom of the humidifier. If applicable, flex it to loosen any mineral deposits or blockages. Flush the drain line with water under pressure to clear it of any debris, and slip it back onto the drain fitting. If drain line does not flow properly, replace it. Inspect the drain line to make sure it has a constant downward slope and is not flattened or blocked.
11. Turn on water supply and reconnect electrical power to the HVAC.



## REQUIRED MAINTENANCE INSTRUCTIONS (APRILAIRE HUMIDIFIER MODELS 350 & 360)

### ⚠ WARNING

120 volts may cause serious injury from electrical shock. Disconnect power and shut off water supply before servicing.



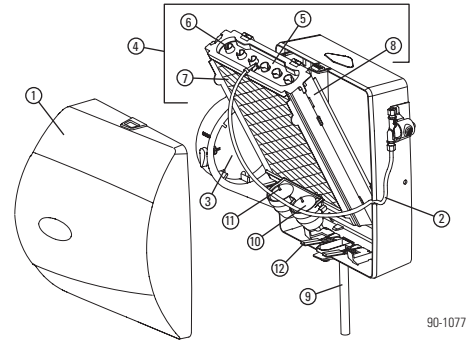
1. Note Manual Humidifier Control setting and turn dial to the "OFF" position.
2. Disconnect electrical power and turn off water supply.
3. Remove inlet grille screws (1). Remove grille from metal housing (8).
4. Lift the Water Panel evaporative assembly (9) out of the humidifier housing (8).
5. To remove the distribution tray (2) from Water Panel evaporative assembly (9), push down on tray and pull out scale control insert (3). To clean the "V" openings of the tray, gently pry the distribution tray cover (4) from the tray. Lightly scrape out or brush off any mineral deposits, being careful not to stretch or loosen the synthetic fabric liner. Soaking the tray in vinegar or a lime-removing agent is helpful when trying to remove stubborn mineral deposits.
6. Slide the Water Panel evaporator (5) out from the scale control insert (3) and dispose of the Water Panel. Clean the scale control insert of mineral deposits. Replace the Water Panel evaporator (Stock No. 35) with a Genuine Aprilaire Water Panel. Slide the Water Panel back into the scale control insert (3) and snap the distribution tray cover (4) into the distribution tray (2). Then snap the distribution tray back into the scale control insert.
7. Inspect the plastic feed tube by gently flexing it and looking for cracks or signs of wear. Replace tube if it is cracked, brittle or has been damaged.
8. Remove the drain line from the bottom of the humidifier and flex it to loosen any mineral deposits or blockage. Then flush it with water under pressure. If it does not properly clear, replace it. Slip the drain line back onto the drain fitting (6). Make sure the drain line has a constant downward slope and is not flattened or blocked.
9. Reinstall Water Panel evaporative assembly (9) and intake grille (1).
10. Reconnect electrical power (7) and turn on water supply.
11. Turn up Manual Humidifier Control and check system operation.
12. Set Manual Humidifier Control to its original position.

## REQUIRED MAINTENANCE INSTRUCTIONS (APRILAIRE HUMIDIFIER MODELS 400 & 400M)

### ⚠ CAUTION

Sudden operation may cause personal injury or property damage. Turn Humidifier Control to "OFF" or lowest setting before servicing.

1. Front Cover
2. Feed Tube
3. Integral Bypass Damper
4. Water Panel Evaporative Assembly
5. Distribution Tray
6. "V" Notches
7. Water Panel Evaporator
8. Scale Control Insert/Float Chamber
9. Overflow Drain Line
10. Float Cover
11. Float
12. Water Level Sensor Assembly

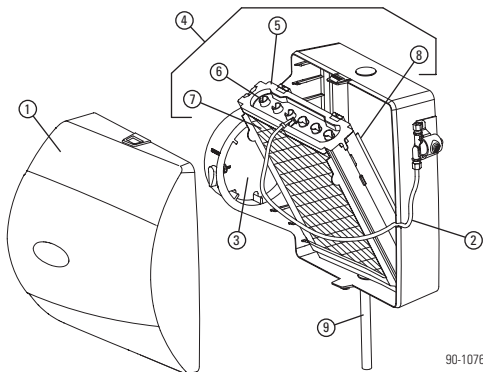


1. Note Humidifier Control setting and turn dial to the "OFF" position.
2. Turn off water supply. Turn the integral bypass damper (3) to the "SUMMER" position.
3. Press the tabs in the latches on the top and bottom of front cover (1) and pull cover off base with both hands.
4. Carefully pull the plastic feed tube (2) out of the distribution tray (5) at the top of the Water Panel evaporative assembly (4). Tip the Water Panel evaporative assembly forward and lift it out of the humidifier. **Do not** tip the Water Panel evaporative assembly more than needed to clear the housing to avoid over-bending the water level sensor assembly (12).
5. Unsnap the distribution tray (5) from the scale control insert (8). Lightly scrape out or brush off any mineral deposits, being careful not to stretch or loosen the synthetic fabric liner. Soaking the tray in vinegar or a lime-removing agent is helpful when trying to remove stubborn mineral deposits.
6. Slide the used Water Panel evaporator (7) out of the scale control insert/float chamber and dispose of the Water Panel.
7. Remove the float cover (10) and inspect the floats (11) and float chamber for mineral build-up. Remove deposits as needed from floats, float chamber and scale control insert. Wash the parts with a disinfecting cleaner. Reassemble the floats and float cover. Make sure stems of both floats extend through openings in float cover and that floats move freely up and down.
8. Inspect the plastic feed tube (2) by gently flexing it and looking for cracks or signs of wear. Replace tube if it is cracked, brittle, or has been damaged.
9. Slide a new Aprilaire No. 45 Water Panel evaporator (7) into the scale control insert/float chamber (8). Snap the distribution tray (5) back on the scale control insert (8).
10. Reinstall the Water Panel evaporative assembly (4) into the humidifier. Take care not to over-bend the water level sensor assembly. Push the top of the Water Panel evaporative assembly firmly back until it snaps into place.
11. Push the end of the feed tube back firmly into the distribution tray. Replace the front cover.
12. Under normal operation the overflow drain line (9) will never have water in it. However, inspect it for mineral deposits and replace if necessary. Make sure the drain line has a constant downward slope and is not flattened or blocked.
13. Turn on the water supply. Return integral bypass damper to appropriate position.
14. Check system operation:  
**Manual Humidifier Control (Model 400M):** With the HVAC blower operating, turn up Humidifier Control and check system operation.  
**Automatic Digital Humidifier Control (Model 400):** (Automatic or Manual mode) Check system operation and reset Change Water Panel indicator by setting the knob to "Test/Reset". With HVAC blower operating and HVAC calling for heat, humidifier will operate for one minute. **DO NOT LEAVE IN TEST MODE AS HUMIDIFIER WILL NOT OPERATE.**
15. Set Humidifier Control to its original position.

## REQUIRED MAINTENANCE INSTRUCTIONS (APRILAIRE HUMIDIFIER MODELS 500, 500M, 600 & 600M)

### ⚠ CAUTION

Sudden operation may cause personal injury or property damage. Turn Humidifier Control to "OFF" or lowest setting before servicing.



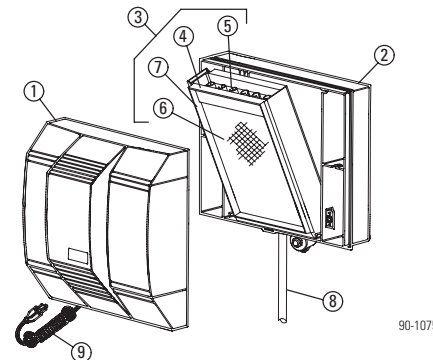
1. Front Cover
2. Feed Tube
3. Integral Bypass Damper
4. Water Panel Evaporative Assembly
5. Distribution Tray
6. "V" Notches
7. Water Panel Evaporator
8. Scale Control Insert
9. Drain Line

1. Note Humidifier Control setting and turn dial to the "OFF" position.
2. Turn off water supply. Turn the integral bypass damper (3) to the SUMMER position.
3. Press the tabs in the latches on the top and bottom of front cover (1) and pull cover off base with both hands. Set aside.
4. Carefully pull the plastic feed tube (2) out of the distribution tray (5) at the top of the Water Panel evaporative assembly (4). Pull this assembly out by grasping at top and tipping out.
5. Unsnap the distribution tray (5) from the scale control insert (8). Lightly scrape out or brush off any mineral deposits, being careful not to stretch or loosen the synthetic fabric liner. Soaking the tray in vinegar or a lime-removing agent is helpful when trying to remove stubborn mineral deposits.
6. Slide the Water Panel evaporator (7) out from the scale control insert (8) and dispose of the Water Panel. Clean the scale control insert of mineral deposits. Replace the Water Panel evaporator (Stock No. 35 for Models 600 & 600M and Stock No. 10 for Models 500 & 500M) with a new Genuine Aprilaire Water Panel. Slide the Water Panel evaporator back into the scale control insert with the colored spot up and snap the distribution tray (5) back into place.
7. Inspect the plastic feed tube (2) by gently flexing it and looking for cracks or signs of wear. Replace tube if it is cracked, brittle, or has been damaged.
8. Reinstall the Water Panel evaporative assembly (4) into the humidifier by fitting its drain into the round receptacle at the base of the humidifier. Push the assembly in at the top until it snaps into place. Push the end of the feed tube back firmly into the distribution tray and replace the front cover.
9. Remove the drain line (9) from the bottom of the humidifier. If applicable, flex it to loosen any mineral deposits or blockage. Then flush it with water under pressure. If it does not properly clear, replace it. Slip drain line back onto the drain fitting. Make sure the drain line has a constant downward slope and is not flattened or blocked.
10. Turn on the water supply. Return integral bypass damper to appropriate position.
11. Check system operation:  
**Manual Humidifier Control (Models 500M & 600M):** With the HVAC blower operating, turn up Humidifier Control and check system operation.  
**Digital Humidifier Control (Models 500 & 600):** (Automatic or Manual mode) Check system operation and reset Change Water Panel indicator by setting the knob to "Test/Reset". With HVAC blower operating and HVAC calling for heat, humidifier will operate for one minute. DO NOT LEAVE IN TEST MODE AS HUMIDIFIER WILL NOT OPERATE.
12. Set Humidifier Control to its original position.

## REQUIRED MAINTENANCE INSTRUCTIONS (APRILAIRE HUMIDIFIER MODELS 700 & 700M)

### ⚠ WARNING

**ELECTRICAL SHOCK HAZARD.** Can cause injury or death. Disconnect all electrical power supplies before servicing. Turn Humidifier Control to "OFF" or lowest setting before servicing.



1. Humidifier Cover Assembly
2. Base Assembly
3. Water Panel Evaporative Assembly
4. Distribution Tray
5. "V" Notches
6. Water Panel Evaporator
7. Scale Control Insert
8. Drain Line
9. Power Cord

1. Note Humidifier Control setting and turn dial to the "OFF" position.
2. Disconnect electrical power and turn off water supply.
3. Unlatch humidifier front cover assembly (1) from base assembly (2) at the bottom of the cover, lift, and set aside.
4. Pull out the Water Panel evaporative assembly (3) by grasping at the top and tipping out.
5. Unsnap the distribution tray (4) from the scale control insert (7). Lightly scrape out or brush off any mineral deposits, being careful not to stretch or loosen the synthetic fabric liner. Soaking the tray in vinegar or a lime-removing agent is helpful when trying to remove stubborn mineral deposits.
6. Slide the Water Panel evaporator (6) out from the scale control insert (7) and dispose of the Water Panel. Clean the scale control insert of mineral deposits. Replace the Water Panel evaporator (Stock No. 35) with a new Genuine Aprilaire Water Panel. Slide the Water Panel evaporator back into the scale control insert with the colored spot up and snap the distribution tray (4) back into place.
7. Inspect the plastic feed tube by gently flexing it and looking for cracks or signs of wear. Replace tube if it is cracked, brittle, or has been damaged.
8. Reinstall the Water Panel evaporative assembly (3) into the humidifier by fitting its drain into the round receptacle at the base of the humidifier. Push the assembly in at the top between the retaining ribs that hold the assembly in place in a vertical position.
9. Remove the drain line (8) from the bottom of the humidifier. If applicable, flex it to loosen any mineral deposits or blockage. Then flush it with water under pressure. If it does not clear, replace it. Slip drain line back onto the drain fitting. Make sure the drain line has a constant downward slope and is not flattened or blocked.
10. Reinstall front cover assembly (1) by hooking at the top of the base assembly (2) and latching at the bottom.
11. Reconnect electrical power (9) and turn on the water supply.
12. Check system operation:  
**Manual Humidifier Control (Model 700M):** With the HVAC blower operating, turn up Humidifier Control and check system operation.  
**Digital Humidifier Control (Model 700):** (Automatic or Manual mode) Check system operation and reset Change Water Panel indicator by setting the knob to "Test/Reset". With HVAC blower operating and HVAC calling for heat, humidifier will operate for one minute. DO NOT LEAVE IN TEST MODE AS HUMIDIFIER WILL NOT OPERATE.
13. Set Humidifier Control to its original position.

**NOTE: The motor is permanently lubricated and does not need to be oiled.**

### LIMITED WARRANTY

Your Research Products Corporation Aprilaire® humidifier unit is expressly warranted for five (5) years from date of installation to be free from defects in materials or workmanship except, however, for the disposable Water Panel which will have to be replaced from time to time depending upon the amount of use.

Research Products Corporation's exclusive obligation under this warranty shall be to supply, without charge, a replacement for any part of the humidifier which is found to be defective within such five (5) year period and which is returned not later than thirty (30) days after said five (5) year period by you to either your original supplier or to Research Products Corporation, Madison, Wisconsin 53701, together with the model number and installation date of the humidifier.

THIS WARRANTY SHALL NOT OBLIGATE RESEARCH PRODUCTS CORPORATION FOR ANY LABOR COSTS AND SHALL NOT APPLY TO DEFECTS IN WORKMANSHIP OR MATERIALS FURNISHED BY YOUR INSTALLER AS CONTRASTED TO DEFECTS IN THE HUMIDIFIER ITSELF.

IMPLIED WARRANTIES OF MERCHANTABILITY OR FITNESS FOR A PARTICULAR PURPOSE SHALL BE LIMITED IN DURATION TO THE AFORESAID FIVE YEAR PERIOD. RESEARCH PRODUCTS CORPORATION'S LIABILITY FOR INCIDENTAL OR CONSEQUENTIAL DAMAGES, OTHER THAN DAMAGES FOR PERSONAL INJURIES, RESULTING FROM ANY BREACH OF THE AFORESAID IMPLIED WARRANTIES OR THE ABOVE LIMITED WARRANTY IS EXPRESSLY EXCLUDED. THIS LIMITED WARRANTY IS VOID IF DEFECT(S) RESULT FROM FAILURE TO HAVE THIS UNIT INSTALLED BY A QUALIFIED HEATING AND AIR CONDITIONING CONTRACTOR. IF THE LIMITED WARRANTY IS VOID DUE TO FAILURE TO USE A QUALIFIED CONTRACTOR, ALL DISCLAIMERS OF IMPLIED WARRANTIES SHALL BE EFFECTIVE UPON INSTALLATION.

Some states do not allow limitations on how long an implied warranty lasts or the exclusion or limitation of incidental or consequential damages so the above exclusion or limitations may not apply to you.

This warranty gives you specific legal rights and you may also have other rights which vary from state to state.

P.O. Box 1467 • Madison, WI 53701-1467 É.-U. • Téléphone : 608/257-8801  
Fax : 608/257-4357 • [www.aprilaire.com](http://www.aprilaire.com)



**Les renseignements de l'enregistrement de votre garantie ne seront ni vendus ni partagés à l'extérieur de notre entreprise.**

Visitez-nous en ligne à [www.aprilaire.com](http://www.aprilaire.com) pour enregistrer votre produit Aprilaire.  
Si vous n'avez pas accès à Internet, veuillez envoyer une carte postale en indiquant votre nom, adresse, numéro de téléphone, le numéro de modèle du produit acheté et la date de l'installation à :  
Research Products Corporation, P.O. BOX 1467, Madison, WI 53701 É.-U.

### WARRANTY REGISTRATION

Visit us on-line at [www.aprilaire.com](http://www.aprilaire.com) to register your Aprilaire product.

If you do not have on-line access, please mail a postcard with your name, address, phone number, model number of product purchased and date of installation to:

Research Products Corporation, P.O. BOX 1467, Madison, WI 53701

**Your Warranty Registration information will not be sold or shared outside of this company.**



P.O. Box 1467 • Madison, WI 53701-1467 • Phone: 800/334-6011 • Fax: 608/257-4357  
[www.aprilaire.com](http://www.aprilaire.com)

### ENREGISTREMENT DE LA GARANTIE

L'obligation exclusive de Research Products Corporation en vertu de cette garantie sera de fournir gratuitement toute pièce de rechange pour l'humidificateur qui serait défectueux durant une telle période de cinq (5) ans et renvoyé au plus tard dans un délai de trente (30) jours après l'adte période de cinq (5) ans par vous, soit à Research Products Corporation, Madison, Wisconsin 53701 É.-U. avec le numéro de modèle et la date d'installation de l'humidificateur.  
CETTE GARANTIE NE OBLIGE PAS RESEARCH PRODUCTS CORPORATION À COUVRIR LES FRAIS DE MAIN D'OEUVRE ET NE S'APPLIQUE PAS AUX DÉFAUTS DE FABRICATION OU DE MATÉRIEAUX FOURNIS PAR VOTRE INSTALLATEUR, CONTRAIREMENT AUX DÉFAUTS DE L'HUMIDIFICATEUR LUI-MÊME.  
LES GARANTIES IMPLICITES DE VALEUR MARCHANDE OU D'ADAPTATION À UN USAGE PARTICULIER SE LIMITENT EN DURÉE À LA PÉRIODE DE CINQ ANS CI-MENTIONNÉE. LA RESPONSABILITÉ DE RESEARCH PRODUCTS CORPORATION EN CAS DE DOMMAGES INDIRECTS OU CONSÉCUTIFS, AUTRES QUE LES DOMMAGES POUR DES RESSOURCES, RÉSULTANT D'UNE INFRACTION AUX GARANTIES IMPLICITES SUSMENTIONNÉES OU À LA GARANTIE LIMITÉE CI-MENTIONNÉE EST EXPRESSÉMENT EXCLUE. CETTE GARANTIE LIMITÉE EST NULLE ET SANS EFFET SI LE(S) DÉFAUT(S) RÉSULTANT DU FAIT QUE VOUS N'AVEZ PAS FAIT INSTALLER CETTE UNITÉ PAR UN PROFESSIONNEL DU CHAUFFAGE ET DE LA CLIMATISATION QUALIFIÉ. SI LA GARANTIE LIMITÉE DEVIENT NULLE ET SANS EFFET PARCE QUE VOUS N'AVEZ PAS FAIT APPEL À UN PROFESSIONNEL QUALIFIÉ, TOUTES LES CLAUSES DE NON-RESPONSABILITÉ DES GARANTIES IMPLICITES EN VIGUEUR AU MOMENT DE L'INSTALLATION.  
Certaines provinces n'autorisent pas les limites sur la durée d'une garantie implicite ou l'exclusion ou l'exception des dommages consécutifs ou indirects. Le cas échéant, les limitations ou l'exclusion susmentionnées peuvent ne pas s'appliquer à vous.  
Cette garantie vous confère des droits juridiques précis et pouvez aussi avoir d'autres droits qui varient d'une province à l'autre.

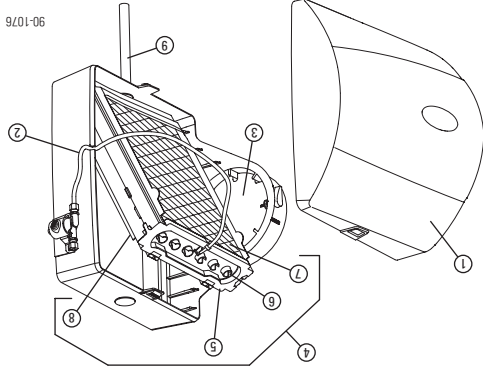
### GARANTIE LIMITÉE

Votre humidificateur Aprilaire® de Research Products Corporation est expressément garanti pendant cinq (5) ans à compter de la date d'installation d'être libre de défauts de matériaux ou de fabrication, à l'exception, cependant, du Water Panel jetable qui doit être remplacé de temps à autre selon le niveau d'utilisation.

**DIRECTIVES POUR L'ENTRETIEN REQUIS (HUMIDIFICATEUR APRILAIRE MODÈLES 500, 500M, 600 ET 600M)**

**MISE EN GARDE**

Un fonctionnement soudain peut causer des blessures ou des dommages matériels. Mettez la commande de l'humidificateur à « Off » (arrêt) ou au réglage le plus bas avant d'effectuer tout service.



1. Notez le réglage de la commande de l'humidificateur et tournez le cadran à la position « Off » (arrêt).  
2. Fermez l'alimentation en eau. Tournez le registre de dérivation intégré (3) à la position « SUMMER » (été).

3. Appuyez sur les onglets des loquets sur la partie supérieure et inférieure du couvercle avant (1) et tirez le couvercle hors de la base avec les deux mains. Mélangez de côté.

4. Placez soigneusement le tube d'alimentation en plastique (2) hors du plateau de distribution (5) sur la partie supérieure de l'ensemble d'évaporation Water Panel (4). Sortez cet ensemble en l'agrippant sur le dessus et en le basculant.

5. Sortez le plateau de distribution (5) de l'élément d'élimination des dépôts (8). Grattez ou brossez légèrement tout dépôt de minéraux en prenant soin de ne pas étirer ni dégrader la doublure en tissu synthétique. Faire tremper le plateau dans du vinaigre ou un agent d'élimination de chaux est utile lorsque vous tentez d'éliminer des dépôts de minéraux rebelles.

6. Glissez l'évaporateur Water Panel (7) hors de l'élément d'élimination des dépôts (8) et jetez le Water Panel. Eliminez les dépôts de minéraux de l'élément d'élimination des dépôts. Remplacez l'évaporateur Water Panel (pièce n° 35 pour les modèles 500 et 600M) et pièce n° 110 pour les modèles 500 et 500M) par un Water Panel Aprilaire authentique. Remplacez l'évaporateur Water Panel en place sur l'élément d'élimination des dépôts.

7. Examinez le tube d'alimentation en plastique (2) en le coubant légèrement et en recherchant toute fissure ou signe d'usure. Remplacez le tube s'il est craquelé, cassant ou s'il a été endommagé.

8. Reinstallez l'ensemble d'évaporation Water Panel (4) dans l'humidificateur en glissant son drain dans le réceptacle rond à la base de l'humidificateur. Poussez l'ensemble sur le dessus entre les côtes de retenue qui tiennent l'ensemble en place en position verticale.

9. Retirez la conduite d'évacuation (9) du fond de l'humidificateur. Les cas échéant, courbez-la pour déloger tout dépôt de minéraux d'alimentation fermement dans le plateau de distribution et remplacez le couvercle avant.

10. Ouvrez l'alimentation en eau. Remettez le registre de dérivation intégré à la position appropriée.

11. Vérifiez le fonctionnement du système :  
**Commande manuelle de l'humidificateur (modèle 500M et 600M)** : avec le ventilateur CVC en marche, tournez la commande de l'humidificateur et vérifiez le fonctionnement du système.

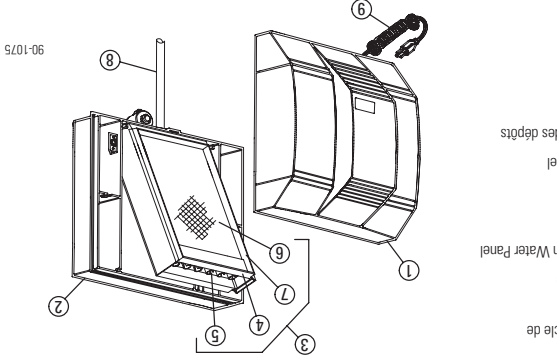
**Commande numérique de l'humidificateur (modèles 500 et 600)** : (mode automatique ou manuel) vérifiez le fonctionnement du système et réinitialisez l'indicateur « Change Water Panel » (remplacez le Water Panel) en réglant le bouton à « Test/Reset » (test/réinitialisation). Avec le ventilateur CVC en marche et le système de CVC demandant de la chaleur, l'humidificateur NE FONCTIONNERA PAS.

12. Réglez la commande de l'humidificateur à sa position originale.

**DIRECTIVES POUR L'ENTRETIEN REQUIS (HUMIDIFICATEUR APRILAIRE MODÈLES 700 ET 700M)**

**AVERTISSEMENT**

**DANGER DE CHOC ÉLECTRIQUE** Peut causer des blessures graves voire mortelles. Débranchez toutes les sources d'alimentation électrique avant d'effectuer la réparation ou l'entretien de l'appareil. Mettez la commande de l'humidificateur à « Off » (arrêt) ou au réglage le plus bas avant d'effectuer tout service.



1. Notez le réglage de la commande de l'humidificateur et tournez le cadran à la position « Off » (arrêt).  
2. Débranchez l'électricité et fermez l'alimentation en eau.

3. Décochez l'assemblage du couvercle avant de l'humidificateur (1) de l'assemblage de la base (2) au fond du couvercle, soulevez et mettez de côté.

4. Tirez l'ensemble d'évaporation Water Panel (3) en agrippant le dessus et en le basculant.  
5. Sortez le plateau de distribution (4) de l'élément d'élimination des dépôts (7). Grattez ou brossez légèrement tout dépôt de minéraux en prenant soin de ne pas étirer ni dégrader la doublure en tissu synthétique. Faire tremper le plateau dans du vinaigre ou un agent d'élimination de chaux est utile lorsque vous tentez d'éliminer des dépôts de minéraux rebelles.

6. Glissez l'évaporateur Water Panel (6) hors de l'élément d'élimination des dépôts (7) et jetez le Water Panel. Eliminez les dépôts de minéraux de l'élément d'élimination des dépôts. Remplacez l'évaporateur Water Panel (pièce n° 35) par un nouveau Water Panel Aprilaire authentique. Remplacez l'évaporateur Water Panel en place sur l'élément d'élimination des dépôts avec la tache de couleur vers le haut et enclenchez le plateau de distribution (4) en place à nouveau.

7. Examinez le tube d'alimentation en plastique en le coubant légèrement et en recherchant toute fissure ou signe d'usure. Remplacez le tube s'il est craquelé, cassant ou s'il a été endommagé.

8. Reinstallez l'ensemble d'évaporation Water Panel (3) dans l'humidificateur en glissant son drain dans le réceptacle rond à la base de l'humidificateur. Poussez l'ensemble sur le dessus entre les côtes de retenue qui tiennent l'ensemble en place en position verticale.

9. Retirez la conduite d'évacuation (8) du fond de l'humidificateur. Les cas échéant, courbez-la pour déloger tout dépôt de minéraux d'alimentation fermement dans le plateau de distribution et remplacez le couvercle avant.

10. Réinstallez l'assemblage du couvercle avant (1) en l'accrochant sur le dessus de l'assemblage de la base (2) et en le verrouillant au fond.

11. Rebranchez l'électricité (9) et ouvrez l'alimentation en eau.

12. Vérifiez le fonctionnement du système :  
**Commande manuelle de l'humidificateur (modèle 700M)** : avec le ventilateur CVC en marche, tournez la commande de l'humidificateur et vérifiez le fonctionnement du système.

**Commande numérique de l'humidificateur (modèles 700)** : (mode automatique ou manuel) vérifiez le fonctionnement du système et réinitialisez l'indicateur « Change Water Panel » (remplacez le Water Panel) en réglant le bouton à « Test/Reset » (test/réinitialisation). Avec le ventilateur CVC en marche et le système de CVC demandant de la chaleur, l'humidificateur NE FONCTIONNERA PAS.

13. Réglez la commande de l'humidificateur à sa position originale.

**REMARQUE : le moteur est lubrifié en permanence et n'a pas besoin d'être huilé.**



Pour les modèles 400, 400M, 500, 500M, 600 et 600M, fermez le registre de dérivation, qui fait partie de l'humidificateur, au moyen de la petite poignée du registre.

Commande de l'humidificateur :

Commande numérique de l'humidificateur en mode automatique (reportez-vous à la **Figure A**) : aucun réglage requis.

Commande numérique de l'humidificateur en mode manuel (reportez-vous à la **Figure B**) : réglez le bouton à la position « Off » (arrêt).

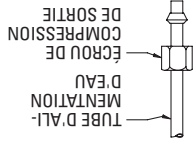
Commande manuelle de l'humidificateur (reportez-vous à la **Figure C**) : réglez le bouton à la position « Off » (arrêt).

REMARQUE : l'inspection et l'entretien périodiques de votre système de chauffage au complet sont importants pour un fonctionnement efficace et sécuritaire. Votre entreprenneur de chauffage peut entretenir votre humidificateur lorsqu'il entretient le système de CVC.

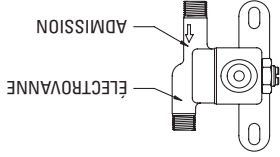
Tous les modèles possèdent un plateau de distribution au-dessus du Water Panel, qui doit être examiné chaque année et nettoyé de tout dépôt excédentaire de minéraux.

### INSPECTION DE LA LIGNE D'EAU ET DIRECTIVES DE SERVICE

1. Débranchez l'alimentation électrique jusqu'au système de CVC et fermez l'alimentation en eau.
2. Débranchez la ligne d'eau au niveau de l'écran de compression d'entrée.
3. Retirez la crépine en ligne de l'intérieur du côté admission du robinet en utilisant un petit ciseau ou un fil métallique.

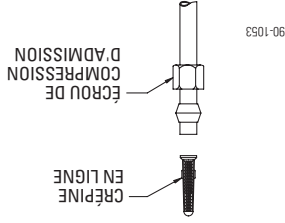


4. Rincez la crépine en ligne à fond ou remplacez-la par une nouvelle crépine, pièce n° 4004.



5. Reliez la conduite d'admission d'eau. **Serrez avec une clé pour empêcher toute fuite.**

6. Débranchez le tube d'alimentation en eau au niveau de l'écran de compression de sortie.
7. Examinez le tube d'alimentation en eau en cherchant le courbant légèrement et en recherchant toute fissure ou signe d'usure. Remplacez le tube s'il est craquelé, cassant ou s'il a été endommagé.
8. Examinez l'orifice dans le tube d'alimentation en eau et assurez-vous que la petite ouverture ne soit pas bouchée.



9. Rebranchez le tube d'alimentation en eau. **Serrez avec une clé pour empêcher toute fuite.**

10. Retirez la conduite d'évacuation au fond de l'humidificateur. Le cas échéant, courbez-la pour déloger tout dépôt de minéraux ou toute obstruction. Rincez la conduite d'évacuation avec de l'eau sous pression pour éliminer tout débris et replacez-la dans le raccord du drain. Si la conduite d'évacuation ne s'écoule pas correctement, remplacez-la. Examinez la conduite d'évacuation pour vous assurer qu'elle a une pente descendante constante et qu'elle n'est pas aplatie ou bloquée.

11. Ouvrez l'alimentation en eau et rebranchez l'électricité vers le CVC.

## RENSEIGNEMENTS SUPPLÉMENTAIRES POUR TOUTS LES MODÈLES

Assurez-vous de garder les registres de foyer fermés lorsqu'ils ne sont pas utilisés. Ils fournissent une excellente voie de sortie pour la chaleur, ainsi que l'humidité.

Parfois, les activités produisant de l'humidité à l'intérieur, comme le séchage des vêtements, la cuisson, les douches, etc., peuvent augmenter l'HR au-delà de ce qu'elle devrait être, même si l'humidificateur Aprilaire ne fonctionne pas. Des indices sont la condensation ou le givre sur les surfaces froides comme les fenêtres, les portes, etc. Si une telle condensation persiste pendant plusieurs heures, votre maison doit être aérée pour dissiper l'humidité excédentaire possiblement dommageable.

## EFFET DES CARACTÉRISTIQUES DE L'EAU

Votre humidificateur est conçu pour fonctionner avec de l'eau chaude, froide, dure ou mécaniquement adoucie. (De l'eau chaude est requise pour les modèles 350 et 360 et recommandée pour tous les modèles pour assurer une performance maximale.)

L'eau contient des quantités variables de minéraux. Le résidu restant en raison de l'évaporation de l'eau dure est principalement des composés de calcium et de magnésium et il est habituellement très dur, écaillieux et dense.

Le résidu de l'eau adoucie a tendance à être doux et pelucheux et possède un volume supérieur que les dépôts d'eau dure. Dans un cas ou l'autre, la durée utile de l'évaporateur Water Panel sera la même. L'évaporateur Water Panel doit être remplacé au moins une fois par année, à l'exception de celui des modèles 400 et 400M qui doit être remplacé au moins deux fois par saison de chauffage. Dans les modèles munis d'un drain, la plupart des solides minéraux sont évacués dans le drain.

Une alimentation en eau chaude de 60 °C au maximum est recommandée avec les humidificateurs de type avec drain pour augmenter la capacité et requise pour les applications à thermopompe et appareil de traitement d'air.

## AVERTISSEMENT

**RISQUE D'ÉBOULLANTAGE.** Une eau dont la température dépasse 51 °C peut instantanément causer des brûlures graves ou des éboullantages. Coupez l'alimentation en eau chaude avant de brancher ou de débrancher des canalisations d'alimentation en eau chaude.

## ENTRETIEN ANNUEL

**Pour obtenir une meilleure performance, nous vous recommandons de remplacer l'évaporateur Water Panel dans votre humidificateur Aprilaire au moins une fois par an, à l'exception de celui des modèles 400 et 400M, qui doit être remplacé au moins deux fois par saison de chauffage.**

Le voyant « Change Water Panel » (remplacer le Water Panel) (commande numérique seulement) clignotera lorsqu'il est temps de remplacer le Water Panel. Reportez-vous aux directives du modèle précis pour tout entretien supplémentaire.

Pour acheter un nouveau Water Panel :

- Appelez l'installateur de votre humidificateur Aprilaire. Cette information se trouve souvent sur votre équipement.
- Appelez votre concessionnaire de chauffage et de climatisation.
- Utilisez notre « Localisateur de concessionnaire » à : [www.aprilaire.com](http://www.aprilaire.com)
- Regardez dans les Pages Jaunes sous appareil d'humidification ou entrepreneurs en chauffage et climatisation.
- Si aucune des méthodes précédentes ne fonctionne et vous avez encore besoin d'information, n'hésitez pas à nous écrire.

- N'achetez que des Water Panel Aprilaire authentiques pour préserver la performance.

Si votre humidificateur est muni d'une commande numérique de l'humidificateur avec un indicateur de remplacement du Water Panel, après avoir remplacé ce dernier, tournez le bouton de commande à la position « Test/Reset » (test/réinitialisation) jusqu'à ce que le voyant « Humidifier On » (humidificateur en marche) clignote pour réinitialiser sa minuterie. (Le ventilateur doit fonctionner et le système de CVC doit demander de la chaleur.) Assurez-vous de remettre le bouton de la commande à son réglage original. Si le voyant « Humidifier On » (humidificateur en marche) continue de clignoter, votre humidificateur est en mode test. **NE LAISSEZ PAS LA COMMANDE EN MODE TEST PUISQUE L'HUMIDIFICATEUR NE FONCTIONNERA PAS.**

TABLEAU 3 – guide d'utilisation	
État	Solution
Condensation dans les fenêtres.	Réduisez le réglage sur le cadran de commande d'un incrément à la fois.
Manque d'humidité.	Augmentez le réglage sur le cadran de commande d'un incrément à la fois. Si la commande de l'humidificateur est déjà au réglage maximal de « 7 », réglez l'interrupteur Blower Activation (activation du ventilateur) à « ON (en marche) ». L'humidificateur doit être relié à la plomberie de l'eau chaude lorsque la fonction Blower Activation (activation du ventilateur) est utilisée.
L'humidificateur ne fonctionne pas (Le solénoïde ne « clique » pas lorsque la commande est déplacée à la position « Test/Reset » (test/réinitialisation).)	<p>Tournez le cadran jusqu'à « Test/Reset » (test/réinitialisation). Assurez-vous que le ventilateur CVC fonctionne. Si l'unité ne fonctionne pas, consultez un entrepreneur de chauffage.</p> <p>Tournez le cadran jusqu'à « Off » (arrêt). Si l'unité continue à fonctionner, consultez un entrepreneur de chauffage.</p>
L'humidificateur ne s'arrête pas.	<p>Le fonctionnement du système est vérifié en réglant le bouton sur « Test/Reset » (test/réinitialisation). L'humidificateur fonctionnera pendant une minute. Si le bouton de commande est laissé à la position test/réinitialisation, après un délai d'une minute, l'affichage clignote le niveau de révision du logiciel; r1, par exemple. REMARQUE : placer le bouton sur « Test/Reset » (test/réinitialisation) réinitialise la minuterie de remplacement du Water Panel.</p>
Mode test.	<p>Notez le code d'erreur affiché à l'écran (E1, E2, E3 ou E4) et appelez votre concessionnaire de chauffage et de climatisation (Figure A).</p> <p>Le voyant rouge « Call Dealer for Service » (appeler le concessionnaire pour obtenir du service) clignote (Figure A).</p> <p>Le voyant jaune « Change Water Panel » (remplacer le Water Panel) clignote (Figure A).</p>
	<p>Reportez-vous à la section sur l'entretien annuel (page 11) pour obtenir des directives sur le remplacement du Water Panel ou appelez votre concessionnaire de chauffage et de climatisation pour obtenir du service. Une fois le Water Panel remplacé, tournez le bouton de commande à la position « Test/Reset » (test/réinitialisation) jusqu'à ce que le voyant vert « Humidifier On » (humidificateur en marche) clignote pour réinitialiser la minuterie de remplacement du Water Panel.</p>

Réglez le bouton au réglage le plus élevé, en vous assurant que le robinet-valve d'eau est ouvert et que l'humidificateur est alimenté en électricité. Le système de CVC doit fonctionner pour que l'humidificateur fonctionne. Confirmez que l'électrovanne est activée et que l'eau s'écoule dans l'humidificateur. Remettez le bouton de la commande au réglage désiré.

### COMMANDE MANUELLE DE L'HUMIDIFICATEUR

Réglez le bouton sur « Test/Reset » (test/réinitialisation) en vous assurant que le robinet-valve d'eau est ouvert et que l'humidificateur est alimenté en électricité. Le ventilateur CVC doit fonctionner pour que l'humidificateur fonctionne. Remarque : placez le bouton sur « Test/Reset » (test/réinitialisation) réinitialise la minuterie de remplacement du Water Panel. L'humidificateur ne fonctionnera que pendant une minute en mode test. (Modèle 400 et 400M : les flotteurs doivent être abaissés pour que l'électrovanne permette le débit d'eau.) Réduisez le réglage de la commande de l'humidificateur à l'HR intérieure recommandée, selon la température extérieure. **NE LAISSEZ PAS EN MODE TEST PUISQUE L'HUMIDIFICATEUR NE FONCTIONNERA PAS.**

### COMMANDE NUMÉRIQUE DE L'HUMIDIFICATEUR

### VÉRIFIER LE FONCTIONNEMENT DE L'HUMIDIFICATEUR

Votre humidificateur Aprilaire est contrôlé par une commande manuelle de l'humidificateur (reportez-vous à la **Figure C**). La commande manuelle de l'humidificateur est installée soit dans le conduit de retour d'air froid ou dans un mur intérieur de votre maison. Avec la commande manuelle de l'humidificateur, il est important d'anticiper une baisse de la température extérieure et de réduire le réglage en conséquence pour éviter toute condensation excessive, tout comme pour la commande numérique de l'humidificateur installée en mode manuel (reportez-vous à la page 6).

Pour déterminer l'HR intérieure, tournez lentement le bouton dans le sens horaire et antihoraire et écoutez pour entendre deux clics. L'HR intérieure se trouve dans la plage des deux clics.

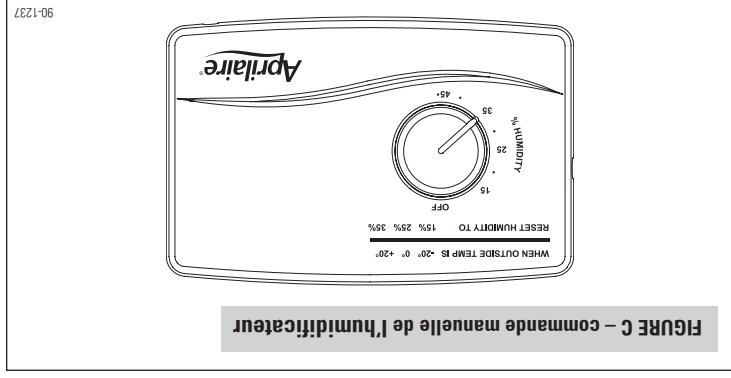


FIGURE C – commande manuelle de l'humidificateur

DIRECTIVES D'UTILISATION –  
MODELES 350, 360, 400M, 500M, 600M ET 700M



TABLEAU 1 – température extérieure/humidité relative intérieure	
Température extérieure	HR recommandée
+4,4 °C (+40 °F)	45 %
-1,1 (+30 °F)	40 %
-6,7 (+20 °F)	35 %
-12,2 (+10 °F)	30 %
-17,8 (0 °F)	25 %
-23,3 °C (-10 °F)	20 %
-28,9 °C (-20 °F)	15 %

Reportez-vous au **Tableau 1** pour connaître les réglages recommandés. Ces réglages, qui sont fondés sur des années de recherche, représentent un compromis entre les niveaux d'HR qui seraient les plus désirés pour le confort et des niveaux d'humidité qui sont appropriés pour la protection de votre maison et éviter la condensation dans vos fenêtres. Par exemple, une HR intérieure d'hiver de 50 % peut être considérée comme étant idéale pour le confort, mais malheureusement, elle entraînerait probablement de la condensation, ce qui cause des dommages à votre maison. Respecter les niveaux d'HR recommandés sur la commande de votre humidificateur est une importante mesure de protection. La condensation de l'eau sur la surface intérieure des fenêtres sous la forme de brume ou de givre est habituellement une indication qu'il y a trop d'humidité. Cette même condensation peut se produire à d'autres endroits dans votre maison, pouvant occasionner des dommages.

Lors de l'utilisation du mode manuel (reportez-vous à la **Figure B** – interrupteur interne à la position « MAN » et « M » à l'écran), il est important d'anticiper une baisse de température extérieure et de réduire le réglage en conséquence pour éviter toute condensation excessive. Par exemple, avec une température extérieure de -6,7 °C (20 °F), le réglage approprié de l'HR sera de 35 %. Si la température doit descendre au-delà de 17,8 °C (0 °F), réduisez alors simplement le réglage à 25 % plusieurs heures avant le changement de température.

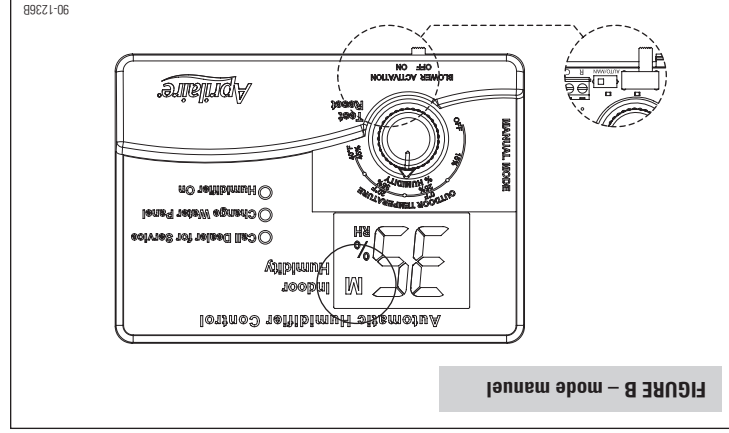


FIGURE B – mode manuel

TABLEAU 2 – guide d'humidité relative en %	
Température extérieure (°C)	4,4
	-1,1
Reglage du cadran	1
	2
	3
	4
	5
	6
	7
Humidité relative (%)	25 %
	30 %
	35 %
	40 %
	45 %
	45 %
	45 %

La commande numérique de l'humidificateur contrôlera avec exactitude l'humidité dans votre maison jusqu'à un maximum de 45 % d'HR. Les valeurs d'HR dans le **Tableau 2** sont des cibles fondées sur la température extérieure et le réglage de la commande numérique de l'humidificateur. L'HR réelle peut varier en raison de conditions dans la maison (cuisson, douches, etc.).

## RENSEIGNEMENTS SUPPLÉMENTAIRES

La fonction Test/Reset (test/réinitialisation) permet de vérifier le fonctionnement de l'humidificateur, même si de l'humidité n'est pas requise. Reportez-vous à « Vérifier le fonctionnement de l'humidificateur » à la page 9.

## TEST/RÉINITIALISATION

La commande surveille la durée de fonctionnement de l'humidificateur. Le voyant jaune « Change Water Panel » (remplacer le Water Panel) clignote lorsqu'une durée pré-établie de fonctionnement s'est écoulée. Cette durée de fonctionnement est pré-réglée par l'installateur selon le modèle de l'humidificateur et la durée de l'eau. Reportez-vous à la section sur l'entretien annuel pour obtenir des directives sur le remplacement du Water Panel ou appelez votre concessionnaire de chauffage et de climatisation pour obtenir du service. Une fois le Water Panel remplacé, tournez le bouton de commande à la position « Test/Reset » (test/réinitialisation) jusqu'à ce que le voyant vert « Humidifier On » (humidificateur en marche) clignote pour réinitialiser la minuterie de remplacement du Water Panel.

La commande possède des voyants qui indiquent le fonctionnement de l'humidificateur, lorsque le Water Panel doit être remplacé et lorsqu'un service est requis. Reportez-vous à « Directives d'utilisation » pour de plus amples renseignements.

Il y a de nombreux humidificateurs sur le marché. Ils ajoutent tous de l'humidité... avec des niveaux variés d'efficacité. Cependant, aucun n'offre les caractéristiques, la conception et la performance incorporées dans votre nouvel humidificateur Aprilaire.

## DIRECTIVES D'UTILISATION – MODÈLES 400, 500, 600 ET 700

La commande numérique de l'humidificateur offre deux modes de fonctionnement, automatique ou manuel. Une explication des deux modes se trouve ci-dessous. (Reportez-vous à la **Figure A** à la page 5 pour le mode automatique. Reportez-vous à la **Figure B** à la page 6 pour le mode manuel.)

En mode automatique, ce système offre les avantages suivants :

- **Vous obtiendrez toujours la quantité optimale d'humidité afin que votre maison et son ameublement soient toujours protégés des effets destructeurs d'une condensation excessive ou d'une faible humidité pendant la saison de chauffage.** La commande régle automatiquement l'HR de votre maison selon la température extérieure, pour ainsi augmenter la durée pendant laquelle le confort maximal est maintenu.
- **Fonctionnement simple avec peu de réglages.** La commande élimine le besoin d'effectuer des réglages manuels lorsque la température extérieure change. Elle élimine aussi le besoin de tourner le cadran à « Off » (arrêt) pendant la saison estivale.

## VOYANTS LUMINEUX DE LA COMMANDE NUMÉRIQUE DE L'HUMIDIFICATEUR

**Call Dealer for service (communiquer avec le concessionnaire pour obtenir du service) :** le voyant rouge indique que l'humidificateur ne fonctionne pas normalement et qu'un service est requis.

**Change Water Panel (remplacer le Water Panel) :** le voyant jaune indique qu'il est temps de remplacer le Water Panel dans l'humidificateur.

**Humidifier On (humidificateur en marche) :** le voyant vert indique que l'humidificateur fonctionne normalement.

## ACTIVATION DU VENTILATEUR

Réglez l'interrupteur « Blower Activation » (activation du ventilateur) à « ON » (en marche) pour permettre à la commande de l'humidificateur d'activer le ventilateur CVC pour maximiser l'humidification. Pour ce réglage, les modèles 500, 600 et 700 doivent être reliés à l'eau chaude.

Si le système CVC a été inactif pendant une heure, la commande de l'humidificateur activera le ventilateur du système CVC pour vérifier l'air pendant trois minutes. Si l'HR est inférieure au point de réglage, la commande de l'humidificateur activera le ventilateur et fera fonctionner le ventilateur. L'humidificateur continuera de fonctionner pendant deux heures ou jusqu'à ce que le point de réglage d'humidification soit atteint.

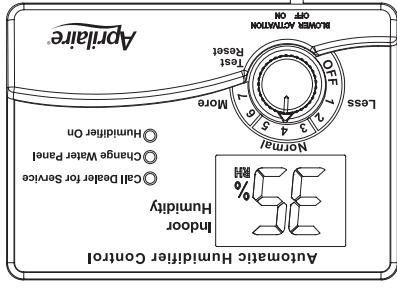
Si le point de réglage de l'HR n'a pas été atteint à la fin d'un appel de chaleur, la commande continuera de faire fonctionner l'humidificateur et le ventilateur CVC jusqu'à ce que le point de réglage d'humidification soit atteint ou que deux heures se soient écoulées.

Lorsque l'interrupteur « Blower Activation » (activation du ventilateur) est à la position « Off » (arrêt), la commande de l'humidificateur ne fera fonctionner l'humidificateur que si de l'humidité est requise et que le ventilateur du système CVC fonctionne ou le système CVC produit de la chaleur.

**REMARQUE :** s'il est utilisé en conjonction avec un thermostat de communication 8570 d'Aprilaire et la fonction d'activation du ventilateur, ne reliez PAS les bornes de communication A B.

## MODE AUTOMATIQUE

FIGURE A – mode automatique



La commande de votre humidificateur Aprilaire est installée dans le conduit de retour d'air froid. **Lors de la première saison de chauffage**, la commande de votre humidificateur doit être initialement réglée pour correspondre à l'état de votre maison. Veuillez suivre les étapes suivantes lorsque vous réglez votre commande (reportez-vous à la **Figure A**).

1. Tournez le bouton de réglage à cadran à « 5 » ce qui est l'étendue normale. Durant les prochaines 24 à 48 heures, il pourra être nécessaire de régler le cadran pour obtenir plus ou moins d'humidité selon votre confort personnel et les exigences de votre maison. Reportez-vous au **TABLEAU 3 – guide d'utilisation**.

2. Durant la partie la plus froide de la première saison de chauffage, des réglages mineurs pourront être nécessaires. Cela dépend de la construction de votre maison. Reportez-vous au **TABLEAU 3 – guide d'utilisation**.

L'HR dans votre maison sera maintenant contrôlée avec exactitude pour répondre à vos besoins et ne devrait pas nécessiter d'autres réglages durant les saisons de chauffage subséquentes. Notez le réglage du cadran au cas où vous déplacerez temporairement le bouton à « Off » (arrêt) pour effectuer l'entretien annuel de votre humidificateur Aprilaire.

Grâce à l'achat de ce système d'humidification, vous avez investi dans un humidificateur qui fonctionne sur le principe de l'évaporation – la manière de la nature à ajouter de l'humidité – pour fournir une humidité relative (HR) optimale tout au long de la saison de chauffage. Il est fort possible que vous ayez des questions concernant votre nouvel humidificateur – des questions sur ce qu'il peut faire pour vous et ce que vous devez faire pour en maximiser les bienfaits. Ce livret est conçu pour répondre à ces questions.

La nature, lorsqu'elle produit un jour d'avril confortable et revigorant, combine juste la bonne température et la bonne quantité d'humidité. Les humidificateurs Aprilaire utilisent le même principe, avec des améliorations, pour vous donner l'HR optimale pour maximiser le confort permis tout au long de l'hiver.

Les éléments importants à considérer dans l'évaluation d'un humidificateur sont une commande de précision, une capacité suffisante, une performance sans tracas et un minimum d'entretien. Le principe du fonctionnement de votre humidificateur Aprilaire vous offre tous ces avantages. Voici brièvement la méthode utilisée :

À l'exception des modèles 350 et 360, l'humidificateur Aprilaire est installé pour fonctionner conjointement avec le ventilateur de l'équipement de chauffage, ventilation et climatisation (CV), lorsque la commande de l'humidificateur Aprilaire réclame de l'humidité et que le moteur du ventilateur fonctionne, de l'eau s'écoule jusqu'au plateau de distribution situé dans le haut de l'humidificateur. L'eau est distribuée uniformément à travers la largeur du plateau et dans un système de sorties conçu de façon scientifique. Elle s'écoule par gravité sur l'évaporateur Water Panel®, le cœur de l'humidificateur. De l'air sec et chaud est déplacé dans l'évaporateur Water Panel® chargé d'humidité où l'évaporation naturelle prend place. L'air maintenant humidifié transportant de l'humidité sous forme de vapeur (à la manière de la nature) est circulé dans toute la maison.

Avec les modèles dérivés des séries 400, 500 et 600, le débit d'air du système de CV est aspiré à travers l'humidificateur depuis le conduit d'alimentation jusqu'au conduit de retour. Les modèles de la série 700 et les modèles des séries 350 et 360 sont munis d'un ventilateur intégré qui aspire l'air à travers le Water Panel.

Les modèles 350 et 360 doivent utiliser l'eau chaude de service (60 °C au maximum) comme source de chaleur, puisque de la chaleur est requise pour l'évaporation. Les autres modèles peuvent fonctionner avec de l'eau froide ou chaude, mais l'eau chaude fournit une sortie maximale et elle est recommandée si l'humidificateur fonctionnera en mode ventilateur seulement. Bien que l'eau entrant dans l'humidificateur soit chaude, l'eau de rinçage dans le drain sera froide. La chaleur est extraite durant le processus d'évaporation.

**Le débit d'eau approprié est déterminé par un orifice fourni avec chaque humidificateur de type à drain. Lorsque l'humidificateur fonctionne, il y aura un petit courant d'eau vers le drain, qui rince la plupart des minéraux qui causent des problèmes.**

**N'utilisez pas le robinet-valve pour réguler le débit d'eau. Il est conçu pour être complètement ouvert ou fermé.**

Les minéraux et le résidu solide non captés par l'évaporateur Water Panel® remplaçable sont éliminés dans le drain des modèles 350, 360, 500, 500M, 600, 600M, 700 et 700M. Ceci est la méthode la plus efficace et la moins dépendueuse d'éliminer les minéraux causant des problèmes. Le drain élimine aussi les problèmes causés par l'eau stagnante.

Il y a des maisons où le drain n'est pas accessible ou disponible. Les humidificateurs de la série 400 sont conçus pour répondre aux besoins de ces applications. Une performance sans tracas et un entretien minimal sont assurés par les caractéristiques de conception de l'humidificateur Aprilaire. Toutes les pièces du boîtier de l'humidificateur qui entrent en contact avec l'eau ne sont pas en métal et ne rouilleront et ne se corrodent jamais. Ni la chaleur ni l'eau ne les affectera dans des conditions normales de fonctionnement.

L'évaporateur Water Panel®, conçu spécialement pour une évaporation élevée uniforme et l'élimination des dépôts (qui encadrent le Water Panel) capent efficacement les dépôts de minéraux qui sont souvent la cause de dommages aux pièces actives dans les humidificateurs ordinaires. **L'évaporateur Water Panel® est le cœur de l'humidificateur et doit être en bon état pour assurer une performance de haute capacité sans tracas. Il doit être remplacé au moins une fois par année à l'exception de celui des modèles 400 et 400M, qui doit être remplacé au moins deux fois par saison de chauffage.**

Le plateau de distribution incorpore une doublure en tissu synthétique qui est conçue pour fournir l'eau uniformément sur la surface supérieure complète de l'évaporateur Water Panel®, à condition que l'humidificateur soit de niveau. Il est normal que certains dépôts de minéraux se forment dans le plateau de distribution lorsqu'ils séchent entre les cycles d'humidification. Ces dépôts peuvent en fait aider à distribuer l'eau dans le plateau, mais s'ils bloquent les ouvertures, ils doivent être éliminés comme il est décrit dans la section « Entretien préventif périodique » de ce manuel.

La commande de votre humidificateur numérique fonctionne en conjonction avec votre système de CV pour contrôler le fonctionnement de l'humidificateur. La commande ressent l'HR à l'intérieur et la température extérieure et règle automatiquement la durée de fonctionnement de l'humidificateur pour fournir un niveau d'humidité optimal dans la maison.

La commande automatique peut être réglée pour mettre le ventilateur CV en marche lorsque de l'humidité est requise. L'installation de tuyaux entre l'humidificateur et l'eau chaude est requise pour ce mode de fonctionnement. L'écran numérique sur la commande affiche le niveau d'HR à l'intérieur du conduit de retour d'air froid. L'HR est mesurée par la quantité d'humidité dans l'air en pourcentage de ce que l'air peut contenir. De l'air chaud peut contenir plus d'humidité que de l'air froid.

Introduction	1
Principe du fonctionnement	2
Directives d'utilisation – modèles 400, 500, 600 et 700	4
• Voyants lumineux de la commande numérique de l'humidificateur	4
• Activation du ventilateur	5
• Mode automatique	5
• Mode manuel	6
Directives d'utilisation – modèles 350, 360, 400M, 500M, 600M et 700M	9
Vérifier le fonctionnement de l'humidificateur	9
Renseignements supplémentaires pour tous les modèles	10
Effet des caractéristiques de l'eau	10
Entretien annuel	11
Arrêt annuel estival	12
Entretien préventif périodique	13
<b>DIRECTIVES D'ENTRETIEN</b>	
Modèles 350 et 360	14
Modèles 400 et 400M	15
Modèles 500 et 500M	16
Modèles 600 et 600M	16
Modèles 700 et 700M	17
Garantie limitée	18



**MISE EN GARDE**

Un fonctionnement soudain peut causer des blessures ou des dommages matériels. Mettez la commande de l'humidificateur Aprilaire® à « OFF » (arrêt) ou au réglage le plus bas avant d'effectuer tout service.

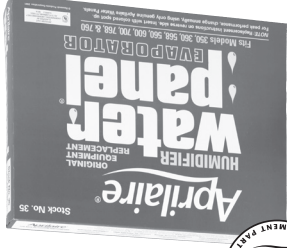


**AVERTISSEMENT**

120 volts peuvent causer des blessures en raison d'un choc électrique. Débranchez le courant et fermez l'alimentation en eau avant d'effectuer tout service.

Merci d'avoir acheté un humidificateur Aprilaire®. Nous sommes reconnaissants de vos affaires et heureux d'ajouter votre nom à notre liste grandissante de clients. Vous avez investi dans l'équipement de la plus haute qualité qui soit. Aprilaire fabrique des produits pour la qualité de l'air intérieur de toute la maison et elle est reconnue comme meneur dans l'industrie du chauffage et de la climatisation. Votre humidificateur nécessitera un entretien périodique pour assurer une excellente performance ininterrompue. Reportez-vous à la page 11 pour obtenir des pièces de rechange et/ou des évaporateurs Water Panel®.

Veillez prendre quelques minutes pour lire ce livret. Cela vous permettra de vous familiariser avec les bienfaits dont vous profiterez de l'équipement que vous venez d'acheter et vous aidera à comprendre l'entretien de routine qui sera requis. Assurez-vous d'enregistrer la garantie de votre humidificateur en ligne à : [www.aprilaire.com/warranty](http://www.aprilaire.com/warranty)



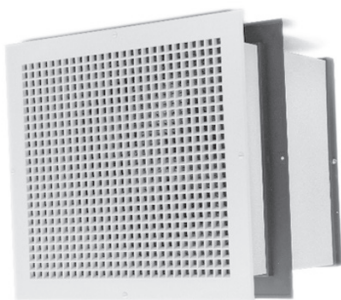
Des évaporateurs Water Panel® de rechange authentiques d'Aprilaire® sont offerts par votre installateur ou par la plupart des entrepreneurs de chauffage et de climatisation dans votre région. Utilisez le localisateur de concessionnaire sur notre site Web ([www.aprilaire.com](http://www.aprilaire.com)) ou regardez dans les Pages Jaunes sous appareil d'humidification ou entrepreneurs de chauffage et de climatisation. N'achetez que des Water Panel Aprilaire authentiques pour préserver la performance de pointe.

LIRE ET CONSERVER CES DIRECTIVES

Comprend les directives sur la sécurité et  
le fonctionnement ainsi que les  
renseignements sur la garantie

Pour les modèles 350, 360, 400, 400M, 500,  
500M, 600, 600M, 700 et 700M

## Guide d'utilisation



Humidificateurs

Aprilaire®